



Electrolux
PROFESSIONAL

Modular Cooking Range Line 900XP Full Module Gas Grill

ITEM # _____

MODEL # _____

NAME # _____

SIS # _____

AIA # _____



391267 (E9GRGHGCFU)

Full module gas grill free standing

Short Form Specification

Item No. _____

To be used with natural or LPG gas. High efficiency 11 kW stainless steel burners with self stabilizing flame. Cooking surface grids in cast iron, easily removable for cleaning. Cast iron grids can be rotated for the grilling of fish or meats. Includes drip tray for the collection of grease and fat. Exterior panels of unit in stainless steel with Scotch Brite finish. Extra strength work top in heavy duty 2 mm stainless steel. Right-angled side edges to allow flush-fitting junction between units.

Main Features

- Stainless steel AISI441 burners with self stabilizing flame.
- Burners are protected by deflection trays to prevent fat dripping on them.
- Drip tray to collect residual cooking juices and fat.
- Stainless steel high splash guards on the rear and sides of cooking surface. Splash guards can be easily removed for cleaning and are dishwasher-safe.
- The special design of the control knob system guarantees against water infiltration.
- IPX5 water protection.
- Energy regulation through a control knob.
- Monoblock structure gives better stability and easier installation.
- The cooking surface is double-sided: one for meat and the other for fish and vegetables.
- The drawer can be filled with water to obtain vapor to cook softer food and to facilitate the cleaning of the drawer.
- The low temperature of the external panels allow to work in safety.
- Removable 2mm thick steel U-shaped grids in AISI 441 stainless steel for fast heating of cooking surface.
- Cooking grids made in highly resistant enameled cast iron for easy cleaning.

Construction

- Unit is 930 mm deep to give a larger working surface area.
- All exterior panels in Stainless Steel with Scotch Brite finishing.
- AISI 304 stainless steel worktop, 2mm thick.
- Model has right-angled side edges to allow flush fitting joints between units, eliminating gaps and possible dirt traps.

Included Accessories

- 1 of SCRAPER FOR FREESTANDING GRILLS PNC 206422

Optional Accessories

- Junction sealing kit PNC 206086
- Draught diverter with 150mm diameter PNC 206132
- Matching ring for flue condenser PNC 206133
- 4 wheels, 2 swivelling with brake (700/900XP). It is mandatory to install with base supports for feet/wheels. PNC 206135
- Flanged feet kit PNC 206136
- Frontal kicking strip for concrete installation, 800mm PNC 206148
- Frontal kicking strip for concrete installation, 1000mm PNC 206150
- Frontal kicking strip for concrete installation, 1200mm PNC 206151

APPROVAL: _____

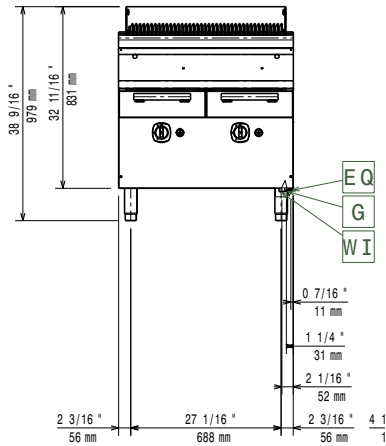


Experience the Excellence
www.electroluxprofessional.com

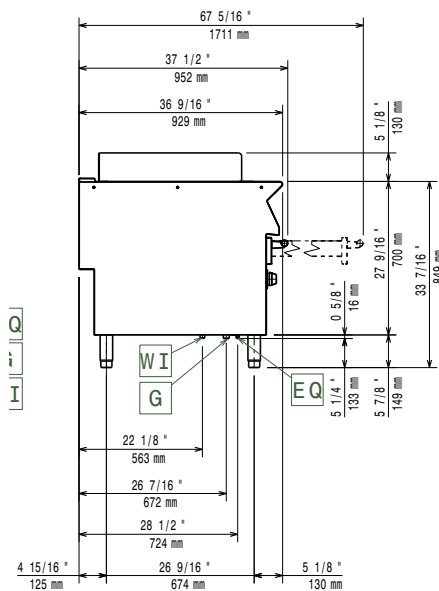


- Frontal kicking strip for concrete installation, 1600mm PNC 206152
- 2 SIDE KICKING STRIPS-CONCRETE INST-900 PNC 206157
- Frontal kicking strip, 800mm (not for refr-freezer base) PNC 206176
- Frontal kicking strip, 1000mm (not for refr-freezer base) PNC 206177
- Frontal kicking strip, 1200mm (not for refr-freezer base) PNC 206178
- Frontal kicking strip, 1600mm (not for refr-freezer base) PNC 206179
- Pair of side kicking strips (not for refr-freezer base) PNC 206180
- 2 panels for service duct for single installation PNC 206181
- 2 panels for service duct for back to back installation PNC 206202
- 4 feet for concrete installation PNC 206210
- Flue condenser for 1 module, 150 mm diameter PNC 206246
- Water filling tap for 800 mm free standing grills PNC 206281
- Chimney upstand, 800mm PNC 206304
- BACK HANDRAIL 1200 MM - MARINE PNC 206309
- Base support for feet or wheels - 800mm (700/900) PNC 206367
- Base support for feet or wheels - 1200mm (700/900) PNC 206368
- Base support for feet or wheels - 1600mm (700/900) PNC 206369
- Base support for feet or wheels - 2000mm (700/900) PNC 206370
- Rear paneling - 800mm (700/900) PNC 206374
- Rear paneling - 1000mm (700/900) PNC 206375
- Rear paneling - 1200mm (700/900) PNC 206376
- Stainless steel grid for free standing grills (900XP) PNC 206404
- Stainless steel grid with drainage channels for free standing V-shaped grills (900XP) PNC 206405
- Scraper for grids with drainage channels - top grills PNC 206421
- SCRAPER FOR FREESTANDING GRILLS PNC 206422
- - NOT TRANSLATED - PNC 206462
- Side handrail-right/left hand PNC 216044
- Frontal handrail 800mm PNC 216047
- Frontal handrail 1200mm PNC 216049
- Frontal handrail 1600mm PNC 216050
- 2 side covering panels for free standing appliances PNC 216134
- Large handrail - portioning shelf, 800mm PNC 216186
- Pressure regulator for gas units PNC 927225

Front

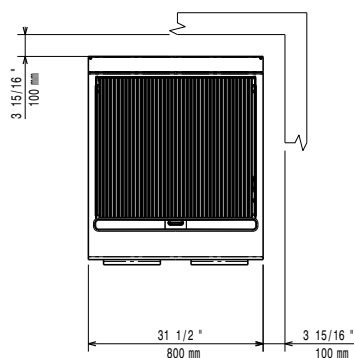


Side



EQ = Equipotential screw
 G = Gas connection

Top



Gas

Gas Power:	391267 (E9GRGHGCFU)	20 kW
Standard gas delivery:		Natural Gas G20 (20mbar)
Gas Type Option:		LPG; Natural Gas
Gas Inlet:		3/4"

Key Information:

Cooking surface width:	631 mm
Cooking surface depth:	640 mm
External dimensions, Width:	800 mm
External dimensions, Depth:	930 mm
External dimensions, Height:	850 mm
Net weight:	96 kg
Shipping weight:	117 kg
Shipping height:	1180 mm
Shipping width:	1020 mm
Shipping depth:	860 mm

If appliance is set up or next to or against temperature sensitive furniture or similar, a safety gap of approximately 150 mm should be maintained or some form of heat insulation fitted.

Certification group: N9GG